

# Xebex®

## LED Follow Spotlight Sai-300

for use in house of worship, school, ballroom, and multipurpose venues.

Sai-300 is Ushio Lighting's Xebex brand, of LED short and medium-throw follow spotlight. Its portable size and ease of use makes it an ideal lighting instrument.

In Japan, "Sai(彩)" means "beautifully colored", "colorful", and "shine beautifully".

The 230W LED in the Sai-300 produces a high quality and powerful daylight white beam (5800K). Our unique phosphors vividly and accurately reproduce the natural colors of skin tones, costumes, and backdrops as they were meant to be portrayed by the artists and designers. The Sai-300 inherits the same design characteristics of balance, ergonomics, and superior functionality as our xenon powered line of Xebex followspots.



### Main features

- **High illuminance**  
12000lx (@ 5m,  $\phi$  0.5m)
- **High CRI**  
Ra $\geq$ 90 (R9 $\geq$ 85, R13 $\geq$ 93, R15 $\geq$ 95 )
- **Easy operation**
- **Smooth dimming function**  
Local dimming 0-100%
- **Silent design**  
Silent fan control with temperature detection

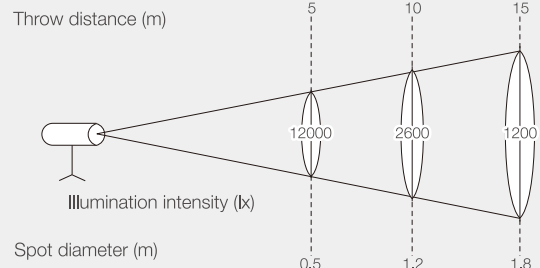


\* Stand is optional. (Sold separately)

## LED Follow Spotlight Sai-300

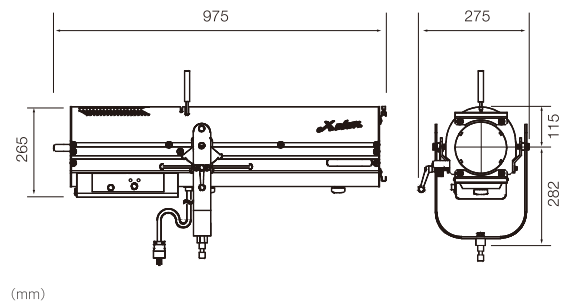
Fixture body model name	Sai-300CB (black body)   Sai-300CW (white body)
Rated voltage	Single phase AC 100V-240V
Power consumption	230W
Frequency	50/60Hz
Input cable	3m long cable with NEMA 5-15P plug (ETL spec)
Weight	17kg
Operation angle range	Within 45°upward, 45°downward
Dimensions	W275 × H 397 × L975 (mm)
Noise	35dB or less (Distance of 1m)
Material	Sheet iron, Aluminum plate
Color	Black/White
Light source	225W white LED array
Beam Color temperature	5800K
CRI	≥90 Ra
LED average lifetime	50000hrs at 25°C
Cooling	Dual cooling fans
Dimming	0-100% by local dimmer knob
Flash	By press button
Standards Compliance	ETL, CE pending
Accessories	Gobo holder : B size, Effective gobo diameter $\phi$ 35 Color changer : 6 color
Option	Stand

## Photometric data



\* The above spot diameter is minimum data.  
The maximum spot diameter is 1.5 times compared with minimum data.

## Dimensions



## Accessories

### Color changer



### Gobo holder



## Options

(Sold separately)

### Stand



## ⚠ Caution and Warning for Safety Use

Please confirm and follow the user manual and safety instructions for your own safety.

## USHIO LIGHTING, INC.

Head Office: RBM Higashi Yaesu Bldg., 2-9-1 Hatchobori, Chuo-ku, Tokyo 104-0032

Tel: +81-3-3552-8264

URL : [www.ushiolighting.co.jp](http://www.ushiolighting.co.jp)

email : [info@ushiolighting.co.jp](mailto:info@ushiolighting.co.jp)