

Xebex[®]

LED Follow Spotlight Sai-300

for use in house of worship, school, ballroom, and multipurpose venues.

Sai-300 is Ushio Lighting's Xebex brand, of LED short and medium-throw follow spotlight. Its portable size and ease of use makes it an ideal lighting instrument.

In Japan, "Sai(彩)" means "beautifully colored", "colorful", and "shine beautifully".

The 230W LED in the Sai-300 produces a high quality and powerful daylight white beam (5800K). Our unique phosphors vividly and accurately reproduce the natural colors of skin tones, costumes, and backdrops as they were meant to be portrayed by the artists and designers. The Sai-300 inherits the same design characteristics of balance, ergonomics, and superior functionality as our xenon powered line of Xebex followspots.



Main features

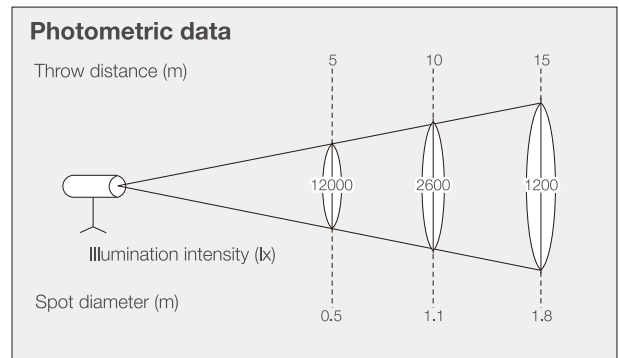
- **High illuminance**
12000lx (@ 5m, ϕ 0.5m)
- **High CRI**
 $R_a \geq 90$ ($R_9 \geq 70$, $R_{13} \geq 90$, $R_{15} \geq 90$)
- **Easy operation**
- **Smooth dimming function**
Local dimming 0-100%
- **Silent design**
Silent fan control with temperature detection



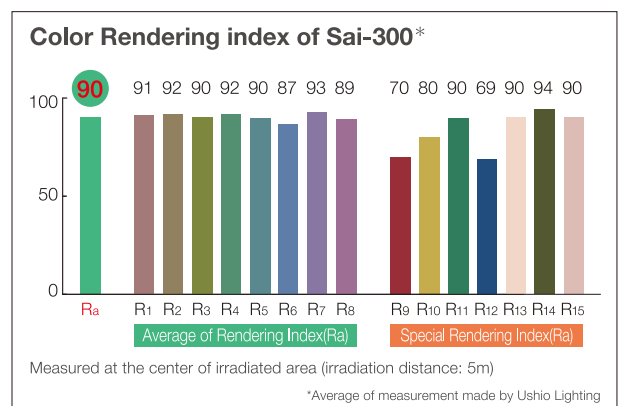
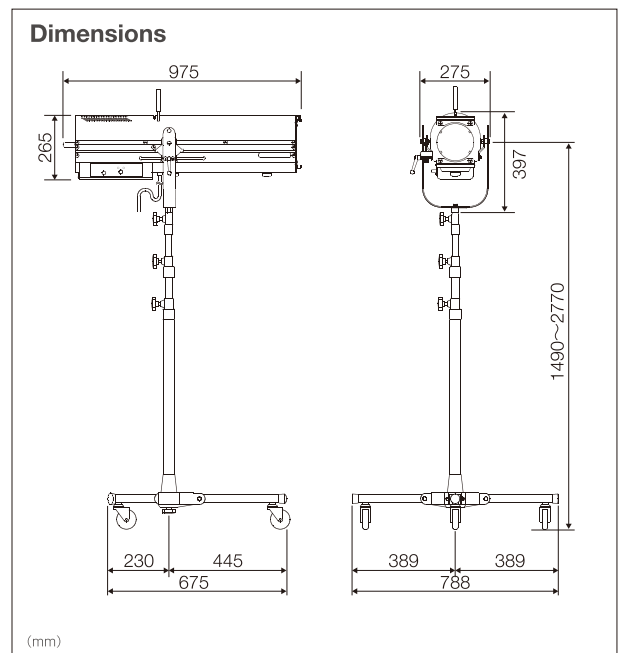
LED Follow Spotlight Sai-300	
Fixture body model name	Sai-300CB (black body) Sai-300CW (white body)
Rated voltage	Single phase AC 100V-240V
Power consumption	230W
Frequency	50/60Hz
Maximum ambient temperature	35°C
Maximum surface temperature	48°C
Minimum throw distance	0.3m
Minimum offset distance	0.1m
Operation angle range	Within 45°upward, 45°downward
Input cable	3m long cable with NEMA 5-15P plug
Connection	Powercon True1
Weight	17kg
Dimensions	W275 × H 397 × L975 (mm)
Cooling	Dual cooling fans
Noise	35dB or less (Distance of 1m)
Material	Sheet iron, Aluminum plate
Color	Black/White
Light source	225W white LED array
Beam Color temperature	5800K
CRI	≥90 Ra
LED average lifetime	50000hrs at 25°C Max.
Dimming	0-100% by local dimmer knob
Flash	On:10ms Off:90ms (10Hz) * by press button
Compatible fittings	φ 17 Spigot
Standards Compliance	ETL, CE

Stand	STD-II/B (black) STD-II/W (White)
Weight	13kg
Dimensions	W788 x H1240 ~ 2520 x D675 mm
Maximum load	Less than 25kg
Material	Iron and Aluminum die-casting
Paint color	Black or White
Compatible fittings	φ 17 Spigot
Stand leg	Folding type, with caster

Accessories



* The above spot diameter is minimum data.
The maximum spot diameter is 2.3 times compared with minimum data.



Caution and Warning for Safety Use

Please confirm and follow the user manual and safety instructions for your own safety.

USHIO LIGHTING, INC.

Head Office: RBM Higashi Yaesu Bldg., 2-9-1 Hatchobori, Chuo-ku, Tokyo 104-0032

Tel: +81-3-3552-8264

URL : www.ushiolighting.co.jp

email : info@ushiolighting.co.jp