

# Xelbex®



3kW LONG THROW Xenon follow spotlight

## SUPERSOL® 3001LSR/e

for use of large scale concerts and stadiums

SUPERSOL 3001LSR/e has been specially designed for super long throw that is powerful and capable to use at very large stages and stadiums. Although it has been developed for super long throw, it still keeps the size as compact as possible that enables easy and precise operation. The stand ST-3001L/e is fordable and also lightest in its class. With the distance of 100m, it will give 6,700lx. SUPERSOL 3001LSR/e is the best choice when purchasing a super long throw followspot today.

**3kW** LONG THROW  
Xenon follow spotlight



### Powerful & sharp edged beam

Highly efficient optical system & zoom mechanism gives a powerful beam and sharp edged clear light on stage.

### Natural Daylight, High CRI

With CRI > 95, it radiates the closest light to natural daylight among all artificial light sources. It vividly and accurately reproduces natural colors on stage, colors of skin tones, costumes, and backdrops as they were meant to be portrayed by the artists and designers.

### USHIO short arc Xenon lamp

The followspot comes with an USHIO made Xenon Short Arc Lamp which is exclusively made for follow spotlight use.

### Outstanding lighting control with 100 % manually closing iris and douser.

The Iris smoothly closes all the way to 100 % and the douser utilizes a unique blade shape to create smooth dimming.

### Light and foldable stand

Compact design makes it ideal to carry and handle, but it's a heavy-duty stand at the same time. This fordable stand is suit for tours, events, and temporary setup.

### Safety-conscious design

Our followspot has safety features such as safety switch for the lamp house door.

### Easy operation & Excellent Balancing

### Compact size & light weight

### Separate power supply and removable cables

SUPERSOL® 3001LSR/e	
Spot head	XPS-3001LSR/e
Max. ambient temperature	40°C
Max. surface temperature	90°C
Min. throw distance	8m
Min. offset distance	0.3m
Range of use angle	10° up / 45° down
Cable and connection	DC cable: 22mm <sup>2</sup> 2C 5m with connector Control cable: 1.25mm <sup>2</sup> 6C 5m with connector
Weight	61kg
Dimension	W435 x H525 x D1911mm
Noise	45dB or less (Distance 1m)
Material	Aluminum casting and sheet iron
Xenon short arc lamp	UXL-30PR
Lighting voltage	DC30V (+3V/-1V)
Rated power consumption	3000W
Rated current	DC100A (Actual current range 70 to 100A)
Total luminous flux	120000 lm
Color temperature	Approx. 6000K
Cooling method	Forced air cooling 4 to 6m/s
Average lifetime	1000hrs
Power Supply	KSX-100MHXP
Rated voltage	Single phase 100V to 120V Single phase 173V to 240V
Power consumption	At rated input: 6.3 kVA
Rated frequency	50/60Hz
Input current*	At 100V: 63A At 200V: 32A (60A or less)
Input cable	14 mm <sup>2</sup> 3C 5m with connector, tip of one side is loose
Weight	14.5 kg
Dimension	W180 x H375 x D420mm
Noise	Backward of distance 1m 54 dB or less
Coating color	Black (ABS resin)
Stand	ST-3001L/e
Materials	Aluminum casting, iron, and stainless pipe
Weight	31kg
Dimension	W968 x H680 ~ 925 x D968 mm
Color changer	XCC-6XA-10" D/e
Number of filters	6
Dimension	W425 x H305x L155mm
Weight	Color changer : 3.5kg Balance Weight : 4.3kg
Material	Steel

\* figure in parenthesis is inrush current

## ⚠ Caution and Warning for Safety Use

Please confirm and follow the user manual and safety instructions for your own safety.



### USHIO LIGHTING, INC.

Head Office: RBM Higashi Yaesu Bldg., 2-9-1 Hatchobori, Chuo-ku, Tokyo 104-0032

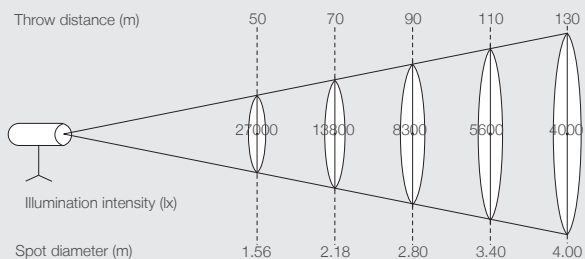
Tel: +81-3-3552-8264

URL : [www.ushiolighting.co.jp](http://www.ushiolighting.co.jp)

email : [info@ushiolighting.co.jp](mailto:info@ushiolighting.co.jp)

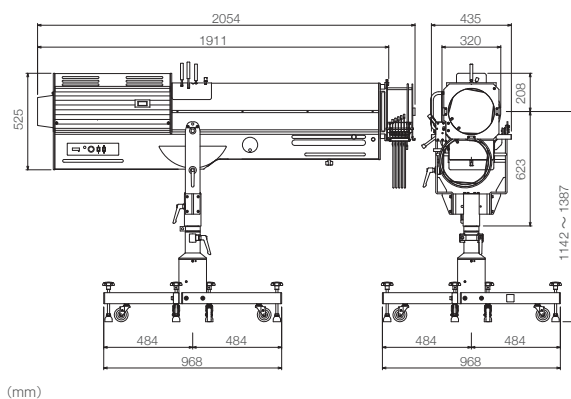
- Please note that the form, specifications, and price of the products in the catalogue are subject to change without notice.
- The color of the actual product and as depicted in the catalogue may slightly differ because of the printing process.
- Xebex is a registered trademark of USHIO LIGHTING, INC.
- All information including technical details mentioned in this brochure is as of June, 2017.

## Photometric data



\* The above spot diameter is minimum data.  
The maximum spot diameter (compared with minimum data) is 2 times zoom ratio.

## Dimensions



## Product Configuration

Spot Head XPS-3001SR/e



Power Supply KSX-100MHXP



Lamp UXL-30PR



Stand ST-3001L/e



Color Changer XCC-6XA-10" D/e

